

SFX SERIES OUTDOOR LIGHTING

SFX-G9-1000W-30D-50K
LED STADIUM FLOOD LIGHTS



Selection:

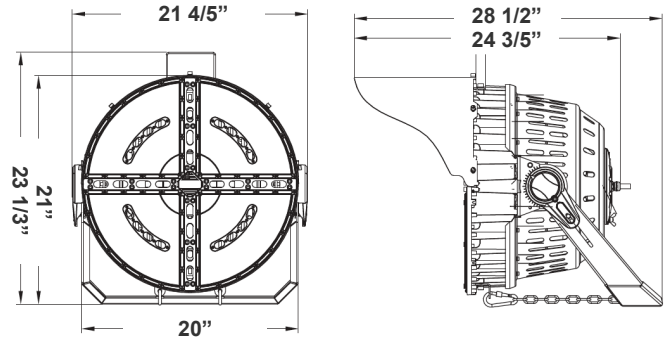


Customer Name: _____

Project Name: _____

Note: _____

Type: _____



23 1/3"(H) x 21 4/5"(W) x 24 3/5"(D)

Ideal for Stadium lighting, Sports fields, parking lots, docks, railway and container yards, Architectural lighting, Industrial and commercial exterior lighting, trade shows, exhibitions.

Features

- Die-Cast Aluminum Housing with Powder Coat Finish (Black)
- LED: Lumileds Luxeon SMD 5050
- 7-year Warranty
- Lens: Prismatic Polycarbonate Lens

Technical Specifications

Electrical:

- Voltage: 120-277V AC 60Hz
- Wattage: 1000W
- Power Factor: >0.90~0.97
- Efficacy: 150LPW

Mechanical:

- Die-Cast Aluminum Housing with Powder Coat Finish (Black)
- Cord type: 3' SJTW 18/3 AWG Cable
- Effective Projected Area (EPA): 1.8 (sq. ft.)
- Operating Temperature: -40°F to 176°F
- IP Rating: IP65, Suitable for Wet Locations
- 7-year Warranty

Lighting:

- Lens: Prismatic Polycarbonate Lens
- LED: Lumileds Luxeon SMD 5050
- Total lumens: 150000LM
- Color Temperatures: 5000K
- Color Rendering Index: CRI ≥ 84
- Rated Life: 70,000 Hrs
- Beam Angle: 30°

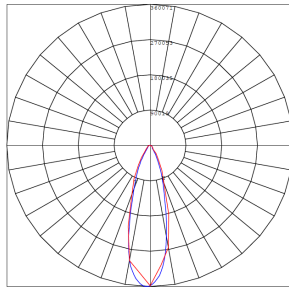
Applications:

- Stadium lighting, Sports fields, parking lots, docks, railway and container yards, Architectural lighting, Industrial and commercial exterior lighting, trade shows, exhibitions.

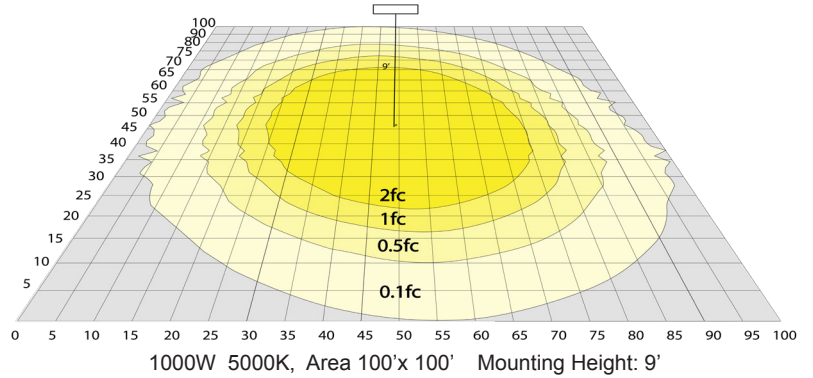
- 600W | 90000LM | SFX-G9-600W-30D-50K



Photometrics: SFX-G9-1000W-30D-50K



BUG Rating: B5-U0-G4



Other Views:



Shown with optional shroud



Front View



Back View

Performance Table: SFX-G9-1000W-30D-50K

MODEL NO.	Wattage	Voltage	Lumens	Color Temp.	BUG Rating	LPW
SFX-G9-1000W-30D-50K	1000W	120~277V	150000LM	5000K	B5-U0-G4	150

Sample Ordering

Model	Style	Watt	Size	Color Temp.				
SFX	-	G9	-	1000W	-	30D	-	50K

Accessories:

Blank = No Option For Accessories
SFX-G9-SH2= SHROUD FOR 1000W

ACCESSORIES:



SFX-G9-SH2

Example:

1. SFX-G9-1000W-30D-50K
2. SFX-G9-1000W-30D-50K
SFX-G9-SH2

(FOR SFX 1000W 50K FIXTURE 120-277V)

(FOR SFX 1000W 50K FIXTURE 120-277V)
(SHROUD FOR 1000W)

